

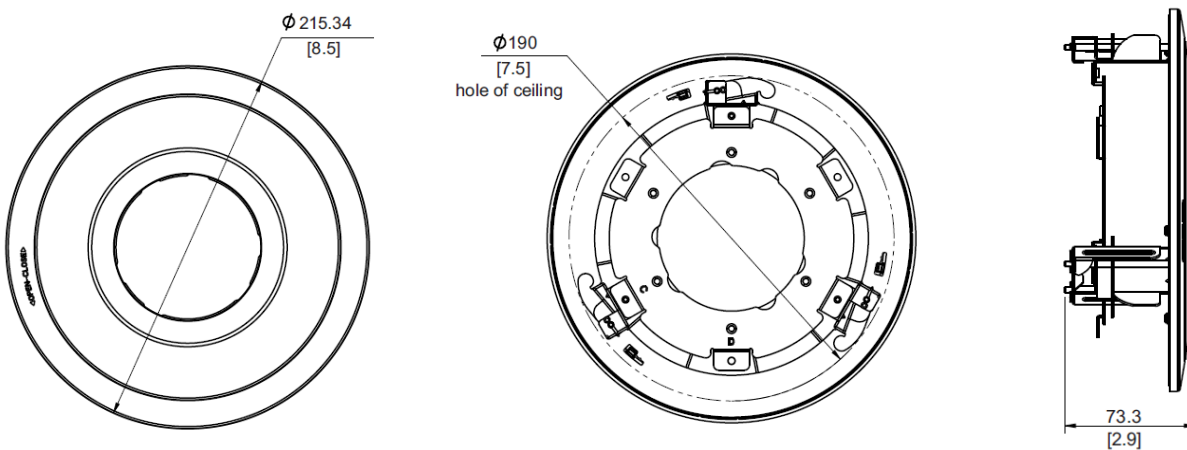
# IBDCFM-2

## IP Dome Camera Flush Mount Ceiling Bracket

Infinique's IBDCFM-2 Dome Camera Flush Mount Ceiling Bracket provides an easy and effective way to mount video surveillance cameras in the wall. The Wall Mount Bracket is waterproof and protects the Ethernet connectors from moisture and dust. It safely conceals all the cabling giving the finished installation an aesthetic look. These junction boxes are suitable for installation both indoor and outdoor environment.

### Product Features

- Dome Camera Flush Mount Ceiling Bracket
- IP66/IP67 Rated
- Vandal Resistant with IK10 Ratings
- Aluminum Alloy Die-Cast Casing
- White Powder Coat RAL 9003
- Dimensions 215.34 (D) x 73.3 (H) mm
- Weight 423 gms



ORDERING INFORMATION	
PART NUMBER	DESCRIPTION
IBDCFM-2	Infinique Dome Camera Bracket, Ceiling Flush Mount, 215.34 (D) x 73.3 (H) mm

**infinique**™ Infinique, a Canadian company is a manufacturer of high performing end-to-end solutions in copper, fiber and video surveillance systems. For more information visit our website at [www.infinique.com](http://www.infinique.com) or email us at [sales@infinique.com](mailto:sales@infinique.com).