

Category 6A Shielded MTPL Field Termination Plug

ETL Verified Compact Design for Blade and IoT Devices

Infinique's Category 6A Shielded MTPL Field Termination plug has a compact and robust profile to ensure a clean professional installation. Its universal design supports clear color coding system for correct TIA568A or TIA568B wiring with electrical performance guaranteed to meet or exceed the channel specifications of ANSI/TIA-568-C.2 and ISO/IEC-11801 for Category 6A.

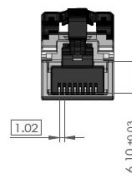
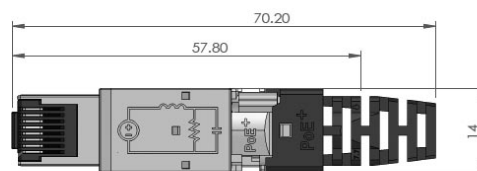
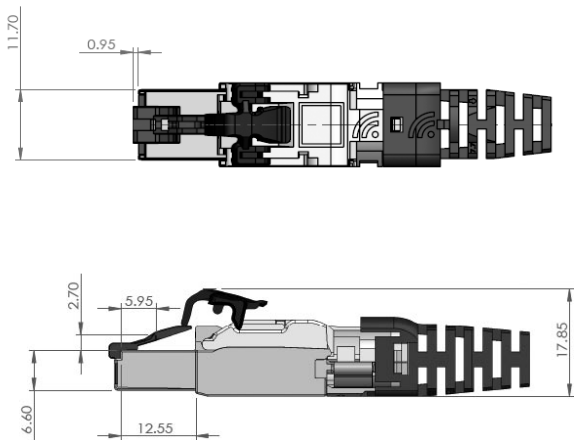
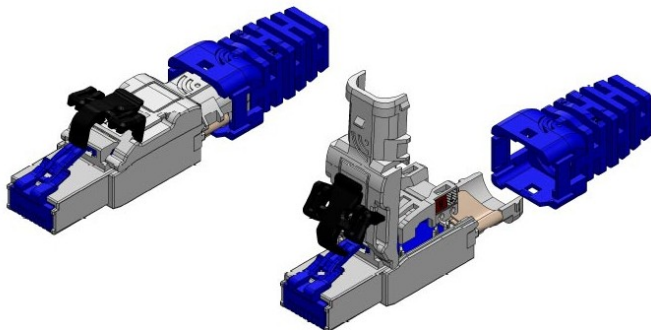
Perfect for fast field termination of 22 to 26 AWG 100 ohm shielded cables and highly suitable for PoE and IoT applications. Its detachable plug latch works as a port-lock and lock the plug for uninterrupted connectivity.

The additional bend limiting strain relief cover provides cylindrical support to limit the bend radius at the point of termination.

Features and Benefits

- Certification**
 ETL Verified for performance as per ANSI/TIA-568-C.2 and ISO/IEC 11801 standards
- Reliable Performance**
 Electrical performance guaranteed to meet or exceed the channel specifications of ANSI/TIA-568-C.2 and ISO/IEC 11801 for Category 6A
- Compact and Robust Design**
 Compact and Slim Profile compatible with blade switches and IoT devices, Flame Retardant Plastic Compound, RoHS Compliant
- Performance Warranty**
 Qualifies for the Infinique's 25 Years System Performance Link Warranty

CONSTRUCTION



Category 6A Shielded MTPL Field Termination Plug

ETL Verified Compact Design for Blade and IoT Devices

ELECTRICAL SPECIFICATIONS

Current Rating	1.5Amp max
Dielectric Strength	1000 V, AC RMS, 60 Hz/1min
Insulation Resistance	500 M-ohm
Contact Resistance	20 m-ohm
Termination Resistance	2.5 m-ohm
Voltage Rating	150 VAV max

MATERIAL SPECIFICATIONS

RJ45 8-Pin Connector	FCC part 68, subpart F and IEC-60603-7, EN 28877 Compliant
Wiring Diagram	T568A and T568B
Spring Wire	Phosphor Bronze with 50µ" Gold over 100µ" Nickel Undercoat
Durability	750 mating cycles
Compatible Cables	SFTP/FFTP 23-26 AWG, Solid / Stranded
Admissible Insulation Diameter	0.8mm - 1.47mm
Admissible Cable Diameter	6.0mm - 7.7mm
Housing	Zinc Alloy Nickel Plated
IDC Blades	Phosphor Bronze with 50µ" Gold over 60µ" Nickel Undercoat
Printed Circuit Board	FR4
IDC Terminals	Phosphor Bronze 0.5t, plated with 60µ" Nickel
Wire Organizer	ABS Polycarbonate, UL94V.0 Flame Retardant
Plug Latch	Polycarbonate, UL94V.0 Flame Retardant
Strain Relief	Polycarbonate, UL94V.0 Flame Retardant
Operating Temperature	-10°C to 60°C
Storage Temperature	-40°C to 68°C
Humidity	10% to 90% RH

TRANSMISSION PERFORMANCE

Frequency (MHz)	Attenuation (Db)	NEXT (dB)	Return Loss (dB)
1	0.03	74.3	20.0
4	0.04	65.3	23.0
10	0.05	59.3	25.0
16	0.06	56.3	25.0
20	0.06	54.8	25.0
31.25	0.07	51.9	23.6
62.5	0.09	47.4	21.5
100	0.10	44.3	20.1
150	0.13	41.4	18.8
200	0.16	39.8	18.0
250	0.19	38.3	17.3
500	0.30	40.0	14.0

STANDARDS/COMPLIANCE

ANSI/TIA/EIA-568-C.2 Category 6A with the applicable electrical transmission characteristics
 ISO/IEC Generic Cabling Standard 11801 Class EA
 IEC 60603-7: Electrical Characteristics of the Telecommunication Outlets
 TIA/EIA TSB-40 requirements
 Supports IEEE 802.3at/802.3at (PoE/PoE+) and 802.3bt type 3 and type 4
 PoE++ Applications, Supports Power over HDBaseT up to 100 watts
 CENELEC Generic Cabling Standard EN50173 – 1:2002
 RoHS Compliant

TYPICAL APPLICATIONS

100BASE-TX Fast Ethernet, 1000BASE-T Gigabit Ethernet
 IoT, PoE, PoE+, PoE++, Token Ring, 155 Mbps ATM, Composite Video, 622 Mbps ATM
 IP Security Cameras, Network Recorders, Motion Sensors, Access Control, Audio Video Devices
 Network Switches, Blade Servers, Wireless Access Points (WAPs)
 Power over Ethernet (PoE) LED Lighting

ORDERING INFORMATION

Part Number	Description
INFC6ASRBL1	Infinique Cat.6A Shielded MTPL Field Termination Toolless RJ-45 Plug, Cable OD 6 to 7.7 mm, ETL Certified

Packaging: 1 Field Termination Plugs packed in one bag.



Infinique, a Canadian company is a manufacturer of high performing end-to-end solutions in copper, fiber and video surveillance systems. For more information visit our website at www.infinique.com or email us at sales@infinique.com.