

# INV503F-RWTH

## 5 Megapixel Thermal Turret Camera with IR LED and Smart Functions

Infinique offers a wide range of IP based high definition cameras available in various housing formats, including Box, Dome and Bullet. Our cameras are equipped with superior image sensor and digital signal processor to produce sharp, crisp pictures and are enclosed in weather and vandal resistant housings making it suitable for use in all security applications. The ONVIF compliance of the cameras helps in easy integration, providing peace of mind for your investment. From small to very large installations, Infinique’s cameras are reliable, future proof and an ideal solution for your video surveillance needs.

The INV503F-RWTH Thermal Camera has been designed to offer a reliable, robust, and high-quality solution for measuring body temperature and facial recognition. The camera housing is ruggedized and has three different streams, regular color high resolution video, thermal video and overlay of regular and thermal video streams. Powered by PoE, the camera becomes an IP-enabled device, and has the ability to record video on any ONVIF compliant recorder or VMS. Operators can select to view any of the three streams, regular color video, thermal video image or the overlay image through the network connection.

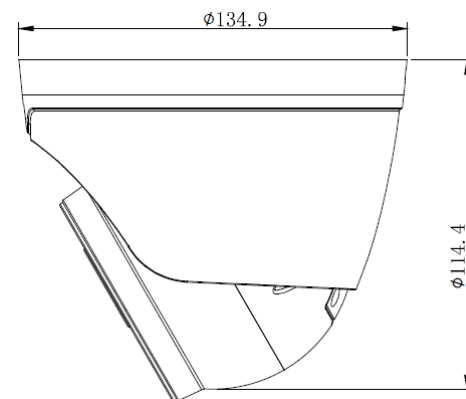
These cameras can be used for Perimeter protection, or to do a quick and accurate scan of a large number of people to help detect individuals with a higher body temperatures, a major symptom of viral and bacterial infections and or in applications where fire detection is required.

### Product Features

- Dual Sensors - Optical and Thermal
- Thermal Sensor - 256 x 192, 12µm≤40mk @ 25°C F1.0
- Optical Sensor - 5 Megapixel Resolution @25/30fps
- Supports Optical and Thermal Image Overlay
- Detects Temperature range of -20°C ~ 150°C
- AI functions support for both Thermal and Optical
- IR Distance 30 meters
- 3.6mm Fixed Lens with DC Auto Iris
- S/N Ratio of more than 50dB
- H.265, H265+, H.264, H264+ Compression
- Up to 3 Simultaneous Video Streams
- Micro SD Card Slot for Onboard Storage
- Power Over Ethernet (PoE), IEEE 802.3af
- IP67 Rated
- Wall or Ceiling mount with 3 Axis Bracket
- ONVIF Compliant



### Dimensions



### Accessories



Part No: IJBWM-134  
Wall Mount Junction Box



Part No: IBDLWM-2  
Wall Mount L Bracket



Part No: IJBCEM-134  
Ceiling Mount Junction Box



Part No: IBKTCM  
Pendant Ceiling Bracket



Part No: IBBCPM  
Pole Mount Bracket



Part No: IBCRWM  
Corner Mount Bracket



Part No: IJBDWM-DC  
Wall Mount Junction Box

IMAGE PERFORMANCE - Optical	
Image Sensor	1/2.7" CMOS
Effective Pixels (H x V)	2592 x 1944
Resolution (Megapixels)	5
Minimum Illumination	0.003 lux (F1.6 AGC ON), 0 lux with IR ON
Image Rate (FPS)	25/30
S/N Ratio	More than 50dB
IR Distance (m)	30
LENS	
Focal Length (mm)	3.6 fixed Lens
Iris	DC Auto Iris, Manual
Lens Mount	M12
Aperture Ratio	F1.1
Angle of View (deg)	H:81, V:57, D:108
VIDEO AND AUDIO	
Video Compression	H.265 Main Profile; H.264 (Baseline, MP, HP), MJPEG
Main Stream	Visible Light: 2592 x 1944, 2592x1520, 2048x1536, 1920 x 1080, 1280 x 960, 1280 x 720 Thermal: 1280 x 720, 640 x 480; 50/60Hz @ 25fps
Sub Stream	Visible Light: 1280 x 720, 640 x 480, 320 x 240 Thermal: 640 x 480, 320 x 240; 50/60Hz @ 25fps
Mobile Stream	Visible Light: 640 x 480, 320 x 240
Electronic Shutter Control	1/5 sec ~ 1/100000 sec
Day/Night Control	Automatic / Manual
Flicker Control	50 Hz, 60 Hz
True WDR	130dB Variable Coefficient
White Balance	Automatic / Manual
Automatic Gain Control	Auto/Manual, Adjustable Level
Alarm Input / Output	1 Ch / 1 Ch Relay Out
Audio Compression	G.711u/G.711a
Audio Input / Output	1 Ch / 1 Ch Out, Built-in Speaker
Video Bit rate	256K~8M ,Supports CBR/VBR
OSD	Camera ID, Timestamp, Bitrate
Hard Reset	Yes
VIDEO ANALYTICS	
Motion Detection	Multiple Zones
Advance Video Analytics	Optical: Perimeter Intrusion, Region Entrance/Exit, Line Crossing, Pedestrian and Vehicle Detection, Object Detection, Crossing Count, Crowd Density, Queue Length, Heat MAP, Rare Sound, Face Detection Thermal: Perimeter Intrusion, Region Entrance/Exit, Line Crossing, Fire Detection, Temperature Exception Alarm, Pedestrian & Vehicle Detection
THERMAL FEATURES	
Temp Measurement	Global, 12 points, 12 areas, and 12 line
Temperature Range	-20°C to + 150°C (-4°F to + 302°F)
Temperature Accuracy	±8°C (± 14.4 °F)
Fire Detection	Yes
LOCAL STORAGE	
Storage Type	Micro SD card, Max up to 256GB
Recording	Video and Image; Auto / Schedule/ Manual / On Event

IMAGE PERFORMANCE - Thermal	
Image Sensor	Vanadium Oxide Uncooled Focal Plane Arrays
Effective Pixels (H x V)	256 x 192
Pixel Interval	12µm
Response Waveband	8-14µm
NETD	≤40mk @ 25°C F1.0, 25Hz
LENS - Thermal	
Focal Length (mm)	3.2
IFOV (milliradians)	3.75
Field Of View (deg)	H:56, V:42
Min Focus Distance (m)	0.3
Heat Detection Distance	20m (66ft)
VCA Distance Human	18.6m (61ft)
VCA Distance Vehicle	49m (161ft)
NETWORK	
Network Port	10/100M BASE-TX, RJ-45 Connector
Cabling Type	Category 6 and higher
Network Protocol	IPv4, HTTP, HTTPS, TCP/IP, Unicast/Multicast, UDP, RTP, RTSP, RTCP, DNS, DDNS, DHCP, FTP, NTP, PPPOE, SMTP, SNMP, UPNP, IEEE802.1X
ONVIF Protocol	ONVIF Compliant
Security	User Authentication, HTTPS, IP Filtering
Users	Maximum 3 users
PC Web Browser	IE 10/11, Firefox, Chrome, Edge, Safari
Mobile Device	Windows Mobile, Symbian, iPhone, Android
Events	Motion, Sensor, Network Failure
Event Handlers	FTP, E-mail, Alarm Out
MECHANICAL	
Housing ID	V4DOMWH671030T1
Dimensions (mm)	134.9 (Dia) x 114.4 (H)
Weight (g)	820
Housing	Aluminum Die Cast
Finish	White Powder Coat, RAL 9003
Installation	Ceiling Mount / Wall Mount, 3-Axis Bracket
ELECTRICAL	
Power Consumption	10.4W
Power Source	PoE IEEE802.3af; DC12V
Power Connector	3.5mm Power Jack
RTC Backup Battery	3V Magnesium Lithium
ENVIRONMENTAL	
Operating Temperature (C)	-35 to +60
Storage Temperature (C)	-10 to +60
Operating Humidity	0% - 95% non condensing
Ingress Protection Rating	IP67
IK Rating	IK10
STANDARDS COMPLIANCE	
Emissions	FCC Part 15 Subpart B Class B EN 55022:2010 IC ICES-003 Class B
Immunity	EN 55024:2010
Safety	UL 609501, EU: 2001/95/EC GPSPD

# INV503F-RWTH

5 Megapixel Thermal Turret Camera with IR LED and Smart Functions



ORDERING INFORMATION	
PART NUMBER	DESCRIPTION
INV503F-RWTH	Infinique Premium Series Indoor Outdoor IR Thermal Dome Camera, Optical: 5MP, Thermal: 256x192, 3.6mm Fixed Lens, IR Array LED, 30m IR Range, H.265, H.264, True WDR, True Day and Night with ICR, Built-in MIC, SCHC Slot, ONVIF Compliant, PoE, IP67
IJBWWM-134	Infinique Wall Mount Junction Box, Base Diameter 134 mm
IJBBCM-134	Infinique Ceiling Mount Junction Box, Base Diameter 134 mm
IBDLWM-2	Infinique Camera L Bracket, Wall Mount Base Diameter 163 mm
IBKTCM	Infinique Pendant Mount Ceiling Bracket, 45 (D) x 294 (H) mm
IBBCPM	Infinique Pole Mount Bracket with Metal Ties, 125 (L) x 46 (W) x 200 (H) mm
IBCRWM	Infinique Corner Mount Bracket, 200 (L) x 130 (W) x 172.8 (D) mm
IJBDWM-DC	Infinique Dual Camera Junction Box

## Housing Accessories

### WALL MOUNT APPLICATION



Junction Box  
IJBWWM-134

### CEILING MOUNT APPLICATION



Junction Box  
IJBBCM-134

### PENDANT MOUNT APPLICATION



Ceiling Bracket  
IBKTCM

### POLE MOUNT APPLICATION



Pole Bracket  
IBBCPM



Junction Box  
IJBWWM-134



Junction Box  
IJBBCM-134

# INV503F-RWTH

5 Megapixel Thermal Turret Camera with IR LED and Smart Functions



## Housing Accessories

### WALL MOUNT APPLICATION



L Bracket  
IBDLWM-2

### CORNER MOUNT APPLICATION



Corner Bracket  
IBCRWM



Junction Box  
IBBWM-134

### WALL MOUNT APPLICATION



Junction Box  
IBDWM-DC



Infinique, a Canadian company is a manufacturer of high performing end-to-end solutions in copper, fiber and video surveillance systems. For more information visit our website at [www.infinique.com](http://www.infinique.com) or email us at [sales@infinique.com](mailto:sales@infinique.com).