

INV713Z-RTE

2 Megapixel IR Vandal Dome Camera with Motorized Zoom Lens

Infinique offers a wide range of IP based high definition cameras available in various housing formats, including Box, Dome and Bullet. Our cameras are equipped with superior image sensor and digital signal processor to produce sharp, crisp pictures and are enclosed in weather and vandal resistant housings making it suitable for use in all security applications. The ONVIF compliance of the cameras helps in easy integration, providing peace of mind for your investment. From small to very large installations, Infinique’s cameras are reliable, future proof and an ideal solution for your video surveillance needs.

The INV713Z-RTE is a 2 Megapixel IP IR Dome Camera built with a vandal resistant aluminum housing, incorporating a 1/3” high quality image sensor and IR LEDs to provide clear crisp images both during the Day and Night.

The camera comes equipped with a 2.8-12mm Varifocal lens with remote zoom and focus for easy setup of field of view. The Auto Iris control allows the camera to automatically set its iris position to maximize image quality in all lighting conditions. The camera streams real-time video at high definition resolution using H.265 or H.264 compression optimizing the bandwidth and increasing storage efficiency.

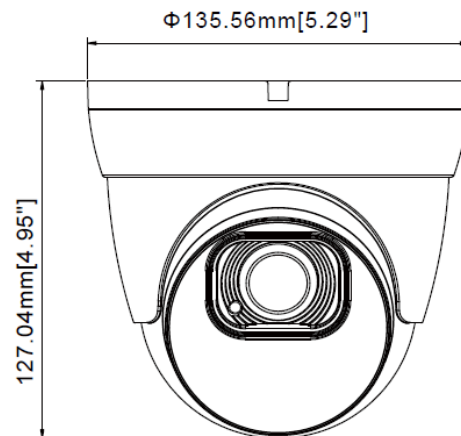
Built-in PoE for powering the camera and the flexible 3-axis bracket for fixing it on ceiling or wall, provides the convenience for installers to complete the installation quickly and with ease. These excellent IP cameras are highly suitable for video surveillance of government buildings, residential apartments, schools, colleges, universities, shopping malls, hospitals, hotels, industrial parks, and corporate offices.

Product Features

- 1/3” CMOS Sensor
- 2 Megapixel Resolution
- Up to 30fps at 1920 x 1080
- IR Distance 45 meters
- 2.8-12mm Motorized Zoom Lens with DC Auto Iris
- S/N Ratio of more than 50dB
- H.265 and H.264 Compression
- Up to 3 Simultaneous Video Streams
- Micro SD Card Slot for Onboard Storage
- Power Over Ethernet (PoE), IEEE 802.3af
- IP67 Rated Housing
- Wall or Ceiling mount with 3 Axis Bracket
- ONVIF 2.2.0 Compliant



Dimensions



Accessories



Part No: IBBWM-134
Wall Mount Junction Box



Part No: IBDLWM-2
Wall Mount L Bracket



Part No: IJBBCM-134
Ceiling Mount Junction Box



Part No: IBKTCM
Pendant Ceiling Bracket



Part No: IBBCPM
Pole Mount Bracket



Part No: IBCRWM
Corner Mount Bracket

INV713Z-RTE

2 Megapixel IR Vandal Dome Camera with Motorized Zoom Lens



IMAGE PERFORMANCE		NETWORK	
Image Sensor	1/3" CMOS	Network Port	10/100M BASE-TX, RJ-45 Connector
Effective Pixels (H x V)	1280 x 1024	Cabling Type	Category 6 and higher
Resolution (Megapixels)	2	Network Protocol	IPv4, HTTP, TCP/IP, UDP, RTP, RTSP, RTCP, DNS, DDNS, DHCP, FTP, NTP, PPPOE, SMTP, UPNP
Minimum Illumination	0.002 lux (AGC ON) 0 lux with IR ON	ONVIF Protocol	ONVIF Compliant Profile-S 2.2.0
Image Rate (FPS)	30	Security	Multiple User Access with password protection
S/N Ratio	More than 50dB	Users	Maximum 5 users
IR Distance (m)	45	PC Web Browser	IE 6.0 Above; Mozilla Firefox; Google Chrome
LENS		Mobile Device	Windows Mobile, Symbian, iPhone, Android
Focal Length (mm)	2.8-12 Varifocal Motorized Zoom Lens	Events	Motion, Sensor, Network Failure
Iris	DC Auto Iris, Manual	Event Handlers	FTP, E-mail, Alarm Out
Angle of View (deg)	H:107 (Wide)~35 (Tele), V:54 (Wide)~20 (Tele)	MECHANICAL	
VIDEO AND AUDIO		Housing ID	V4DIMWH670745A1
Video Compression	H.265 Main Profile; H.264 (Baseline, MP, HP)	Dimensions (mm)	135 (D) x 127 (H)
Main Stream	1920 x 1080, 1280 x 720	Weight (g)	850
Sub Stream	720 x 576, 640 x 480	Housing	Aluminum Die Cast
Motion Detection	Up to 4 Zones	Finish	White Powder Coat, RAL 9003
Electronic Shutter Control	1/5 sec ~ 1/20000 sec	Installation	Ceiling Mount / Wall Mount, 3-Axis Bracket
Day/Night Control	Automatic / Manual	ELECTRICAL	
Flicker Control	50 Hz, 60 Hz	Power Consumption	708mA, 12V DC, 8.5W
Digital WDR	Off, Low, Normal, High	Power Source	PoE IEEE802.3af; DC12V ±10%; AC 24±10%
White Balance	Automatic / Manual	Power Connector	3.5mm Power Jack
Backlight Compensation	N/A	RTC Backup Battery	3V Magnesium Lithium
Privacy Mask Zones	Up to 4 Privacy Mask Zones	ENVIRONMENTAL	
Automatic Gain Control	Auto/Manual, Adjustable Level	Operating Temperature (C)	-10 to +60
Audio Compression	G.711A/ G.711U/ G.726	Storage Temperature	-20 to +60
Audio Input/ Output	Line level input and output, 3.5mm A/V Interface	Operating Humidity	0% - 95% non condensing
Video Output	2 pin terminal block	Ingress Protection Rating	IP67
Video Bit rate	256K-8M ,Supports CBR/VBR	Impact Rating	IK07
OSD	Camera ID, Timestamp, Bitrate	STANDARDS COMPLIANCE	
Image Orientation	Image Flip, Mirror, LSC, CTB	Emissions	FCC Part 15 Subpart B Class B EN 55022:2010 IC ICES-003 Class B
Image Controls	Brightness, Contrast, Hue, Saturation, Acu, Gamma	Immunity	EN 55024:2010
Advanced Functions	Image Rotation, Gain Control, Anti-Fog, Anti-False Color, Anti-Shake, IR Detection	Safety	UL 609501, EU: 2001/95/EC GPSPD
Motion Detection	Up to 4 Zones		
LOCAL STORAGE			
Storage Type	Micro SD card, Max up to 256GB		
Recording	Video and Image; Auto / Schedule/ Manual / On Event		

ORDERING INFORMATION	
PART NUMBER	DESCRIPTION
INV713Z-RTE	Infinique Premium Series Indoor Outdoor IR Dome Camera, 2MP, 2.8-12mm Motorized Zoom Lens, IR Array LED, 45m IR Range, H.265, H.264, MJPEG, True Day and Night with ICR, ONVIF Compliant, PoE, IP67, IK07
IJBWM-134	Infinique Wall Mount Junction Box, Base Diameter 134 mm
IJBBCM-134	Infinique Ceiling Mount Junction Box, Base Diameter 134 mm
IBDLWM-2	Infinique Camera L Bracket, Wall Mount Base Diameter 163 mm
IBKTCM	Infinique Pendant Mount Ceiling Bracket, 45 (D) x 294 (H) mm
IBBCPM	Infinique Pole Mount Bracket with Metal Ties, 125 (L) x 46 (W) x 200 (H) mm
IBCRWM	Infinique Corner Mount Bracket, 200 (L) x 130 (W) x 172.8 (D) mm

INV713Z-RTE

2 Megapixel IR Vandal Dome Camera with Motorized Zoom Lens



Housing Accessories

WALL MOUNT APPLICATION



Junction Box
IBBWM-134

CEILING MOUNT APPLICATION



Junction Box
IBBCM-134

PENDANT MOUNT APPLICATION



Ceiling Bracket
IBKTCM

POLE MOUNT APPLICATION



Pole Bracket
IBBCPM



Junction Box
IBBWM-134



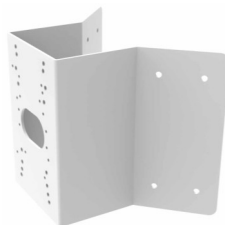
Junction Box
IBBCM-134

WALL MOUNT APPLICATION



L Bracket
IBDLWM-2

CORNER MOUNT APPLICATION



Corner Bracket
IBCRWM



Junction Box
IBBWM-134



Infinique, a Canadian company is a manufacturer of high performing end-to-end solutions in copper, fiber and video surveillance systems. For more information visit our website at www.infinique.com or email us at sales@infinique.com.