

Box Contents

1 x 2MP Night Vision Bullet Camera
1 x 60ft Video and Power Cable with Connectors
Mounting Screws
Power Adapter *
Quick Installation Guide
* Available only in 4 Camera Kits. Power adapter with splitter is provided in 4 Camera Kits to power four cameras.

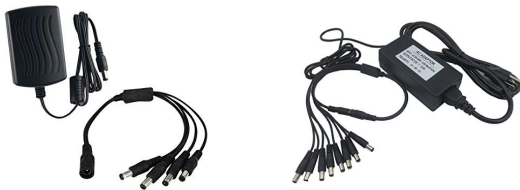
Key Points

Use the regulated UL / CSA / BIS approved power supply which has been supplied with the camera pack. Use of a non-regulated, non-conforming power supply can damage this product and voids the warranty.

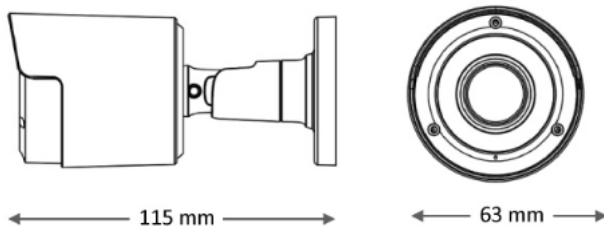
Power Adapter

Two multi-camera power adapters options may be provided that provided depending on the product configuration.

1. 2A 12V DC 4 Split Power Adapter to power 4 Cameras
2. 4A or 5A 12V DC 8 Split Power Adapter to power 8 Cameras



Dimensions



Read Before You Use

- Before attempting to connect or operate this product, read the instructions carefully and save it for reference.
- All instructions should be followed for safe handling of the product.
- Camera should not be disassembled.
- Camera should not be focused directly towards sun or bright lights and where there are no obstructions.
- Camera should be installed where vandals cannot easily reach and the cable should be secured properly in ducts to avoid damage.
- Camera is for indoor and outdoor use, however when installed outdoors sheltered location is recommended.
- Camera should be operated within the given temperature and humidity range.
- Use the regulated UL / CSA / BIS approved power supply which has been supplied with the camera pack. Use of a non-regulated, non-conforming power supply can damage this product and voids the warranty.
- Use a damp cloth to clean the camera surface, do not use any harsh cleaners.
- The video and power supplied is rated for surface mounting only.

Disclaimer

1. Not intended for submersion in water. Installation in a sheltered location recommended.
2. This camera includes an Auto Mechanical IR Cut Filter. When the camera changes between Day/Night viewing modes, an audible clicking noise may be heard from the camera. This clicking is normal, and indicates that the camera filter is working.

Infinique reserve the right to modify product specifications and prices without notice and without incurring any obligation.

© 2019 Infinique Worldwide Inc. Canada
Infinique is a registered trademark of Infinique Worldwide Inc.

 **infinique™**

2MP Night Vision Bullet Camera

Quick Installation Guide
English Version 1.0



IHB703 Series

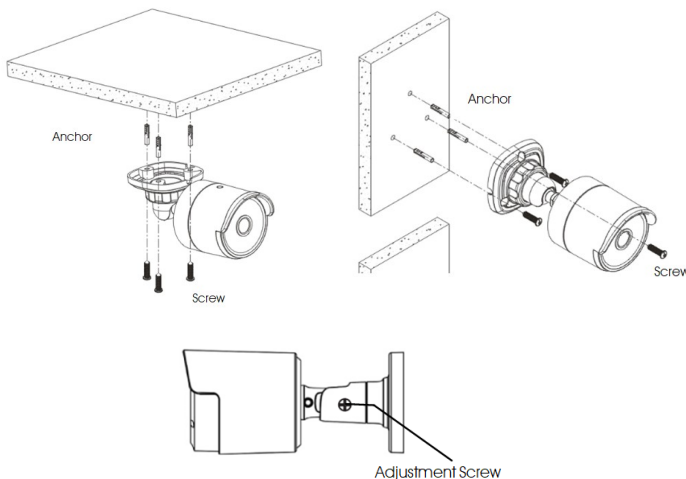
www.infinique.com

Installing the Camera

Important

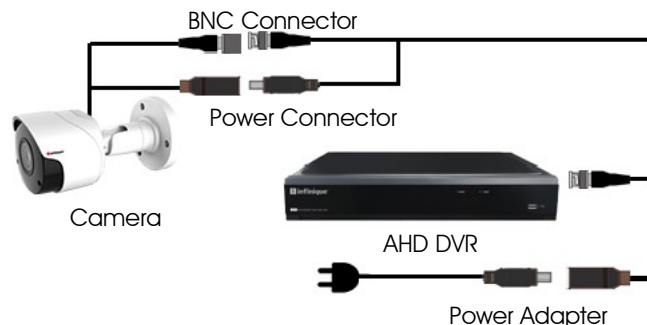
1. First test the camera prior to installing by connecting the camera and cable to the DVR.
2. Plan how to run the cables either through or along the wall or ceiling where drilling may be required. Cable should be properly secured.
3. To keep the camera base flushed to the surface, run the cable through the cable notch present at the base of the camera.

Camera Installation



1. Use the included mounting template mark and drill holes for the mounting screws. Insert the anchors if installing on a drywall.
2. Connect the cables as shown in the section 'Camera Connection'.
3. Feed the cable through the mounting surface. If you are running the cables against a wall or ceiling, make sure to pass the cable through the cable notch.
4. Using a Philips head screwdriver loosen the adjustment screw. Adjust the camera position as needed.
5. Tighten the adjustment screw to secure the position.
6. Remove the vinyl film from the camera lens when your installation is complete.

Camera Connection



1. One end of the cable shall be connected to the camera and the other end to the AHD DVR
2. On camera side, connect the male power connector and the BNC Connector to the camera
3. On the DVR side, connect the BNC connector to one of the video inputs on your DVR. There can be 4, 8 or 16 Video Inputs based on the AHD DVR Configuration.
4. On the DVR side connect the female power connector to the power adapter splitter.

Cable Options

The video and power cable provided with the camera covers a cable run distance of 60 feet. If the cable provided is not sufficient, alternate cables can be used, depending on the cable type as shown below.

1	RG59 Coaxial Siamese Cable for Video and Power	300ft or 91m max cable distance
2	RG59 Coaxial Cable for only Video	1000ft or 305m max cable distance

Key Points

- If the cable run distance is above 300ft (91m), the power source should be near the camera. If not the quality of video will be affected.
- A single stretch of cable should be used between the Camera and the DVR. Do not use cable with multiple connections.
- If a video balun is used to extend the distance, it should support a resolution of 2MP or above.
- If the cable run distance used is too long, then you will notice that the video is distorted and unclear and some-time permanently black and white.

Trouble Shooting

Problem	Solution
Video is too bright	Camera should not be directly pointed at a source of light such as spot light or sun. If so then move the camera to a different location. Check the brightness and contract settings of DVR and monitor.
Video is too dark	Check if the DVR and monitor brightness and contrast settings are set properly.
No Video	Check the power supply of DVR and Camera. Check if the cables is secure between DVR and Camera. Check if the DVR is connected to the monitor. Check if monitor is on the correct input channel. The cameras are only compatible with Infinique AHD DVRs.
No Video at Night	The IR LEDs will turn on in low light conditions, wait till the area becomes dark and check to see if the IR LEDs are on.
Unclear or Foggy Video	Clean the front cover of the camera with a clean soft cloth to remove any dust present. Make sure that the video and power cable run is void of any cuts and it is not close to power lines. Once the installation is complete, remove the vinyl film from the camera lens.
Night video has bright spots	If the camera is pointed through a window, the night video will have bright spots, in this case move the camera to a different location.
Video and Power cable is not long enough	For alternate cabling refer to the Cable Options section.